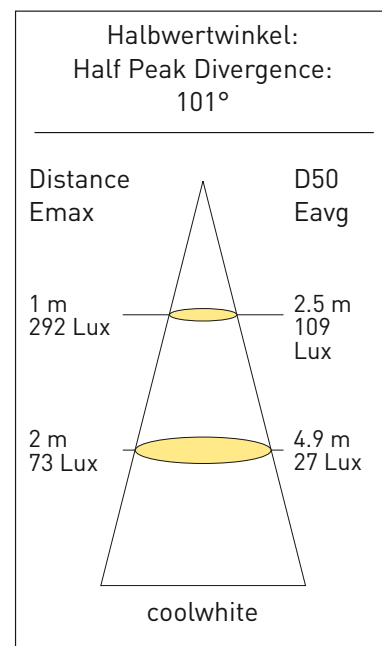
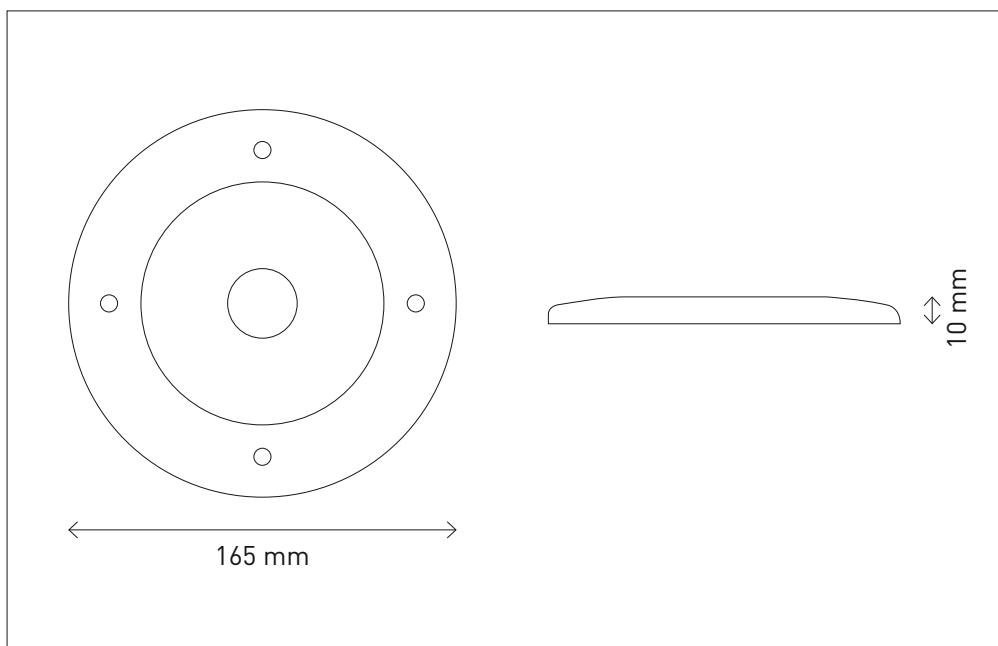
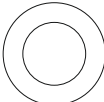


F-21



Technische Daten Technical Data	
Typ	F-21
Spannung Voltage	10 – 30 Volt (Multivolt)
Leistung Power consumption	10 W
Lichtstrom Luminous flux	ca. 800 Lm
Temperaturbereich Temperature range	-30° – +60°C -22 – +140°F
Abmessungen Dimension	ø 165 mm, Höhe 10 mm Height 10 mm
Gewicht weight	220 gramm
Schutzart Protection class	IP67
Lichtfarbe Light color	kalt- oder warmweiß cool- or warmwhite (ca. 6.500 K, 3.000 K)
Nachtlicht Nightlight	ja, optional (rot, blau, grün) yes, optional (red, blue, green)
CRI [Color Rendering Index]	> 80
Lebensdauer Lifetime	> 50.000 Stunden/L70 hours/L70
Schalter Switch	mit Tochsensoren oder ohne with Touchsensor or without
Dimmbar Dimmable	nein no
Gehäuse Housing	Polycarbonat Polycarbonate
Anschlusskabel Connecting Cord	2-adrig, Länge: 50 cm 2-wire, Length: 50 cm
Besonderheiten Features	Beleuchteter Touchsensor-Schalter Illuminated Touchsensor



	Typ		Switch	Housing-Color	Order-No.	
	F-21 LED 10 Watt Surface mont	Nachtlicht				
	F-21 10-30 Volt/DC coolwhite		no	white	7600	
	F-21 10-30 Volt/DC coolwhite		TouchSensor	white	7601	
	F-21 10-30 Volt/DC warmwhite		no	white	7602	
	F-21 10-30 Volt/DC warmwhite		TouchSensor	white	7603	
	F-21 LED Nightlight 10 Watt Surface mount					
	F-21 10-30 Volt/DC coolwhite	■ red	no	white	7604	
	F-21 10-30 Volt/DC coolwhite	■ red	TouchSensor	white	7610	
	F-21 10-30 Volt/DC coolwhite	■ blue	no	white	7606	
	F-21 10-30 Volt/DC coolwhite	■ blue	TouchSensor	white	7612	
	F-21 10-30 Volt/DC coolwhite	■ green	no	white	7608	
	F-21 10-30 Volt/DC coolwhite	■ blue	TouchSensor	white	7614	
	F-21 10-30 Volt/DC warmwhite	■ red	no	white	7605	
	F-21 10-30 Volt/DC warmwhite	■ red	TouchSensor	white	7611	
	F-21 10-30 Volt/DC warmwhite	■ blue	no	white	7607	
	F-21 10-30 Volt/DC warmwhite	■ blue	TouchSensor	white	7613	
	F-21 10-30 Volt/DC warmwhite	■ blue	no	white	7609	
	F-21 10-30 Volt/DC warmwhite	■ blue	TouchSensor	white	7615	
	F-21 Nightlight connection via third positive line.					